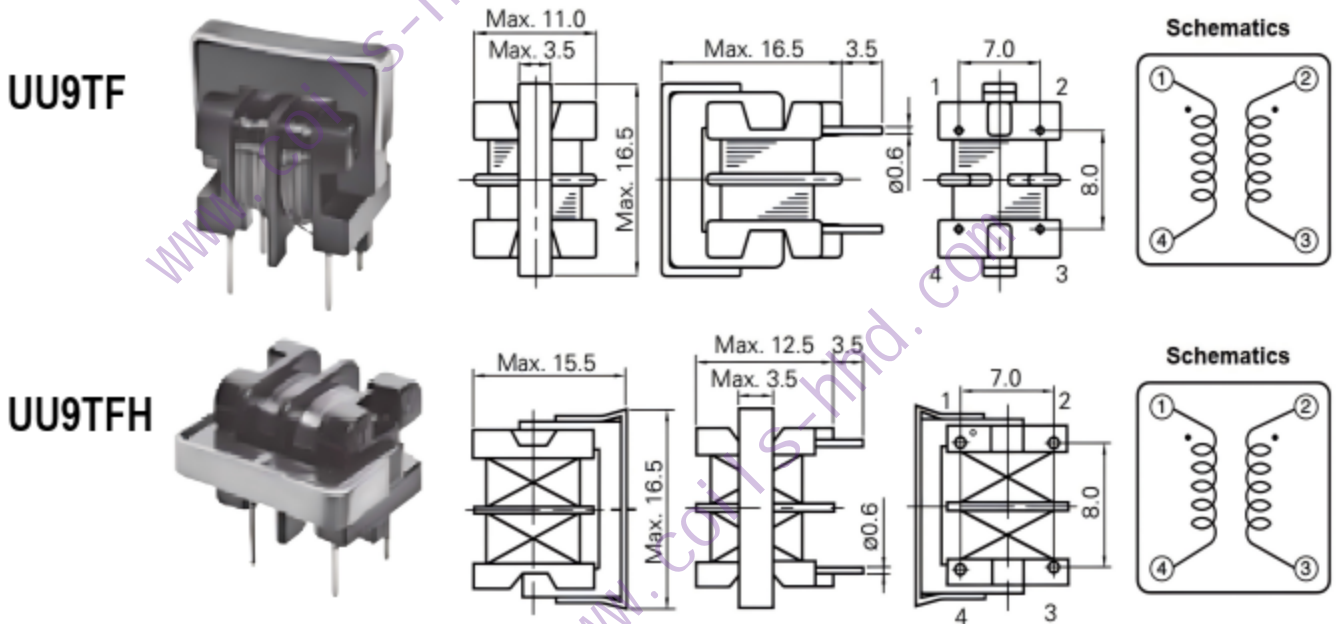


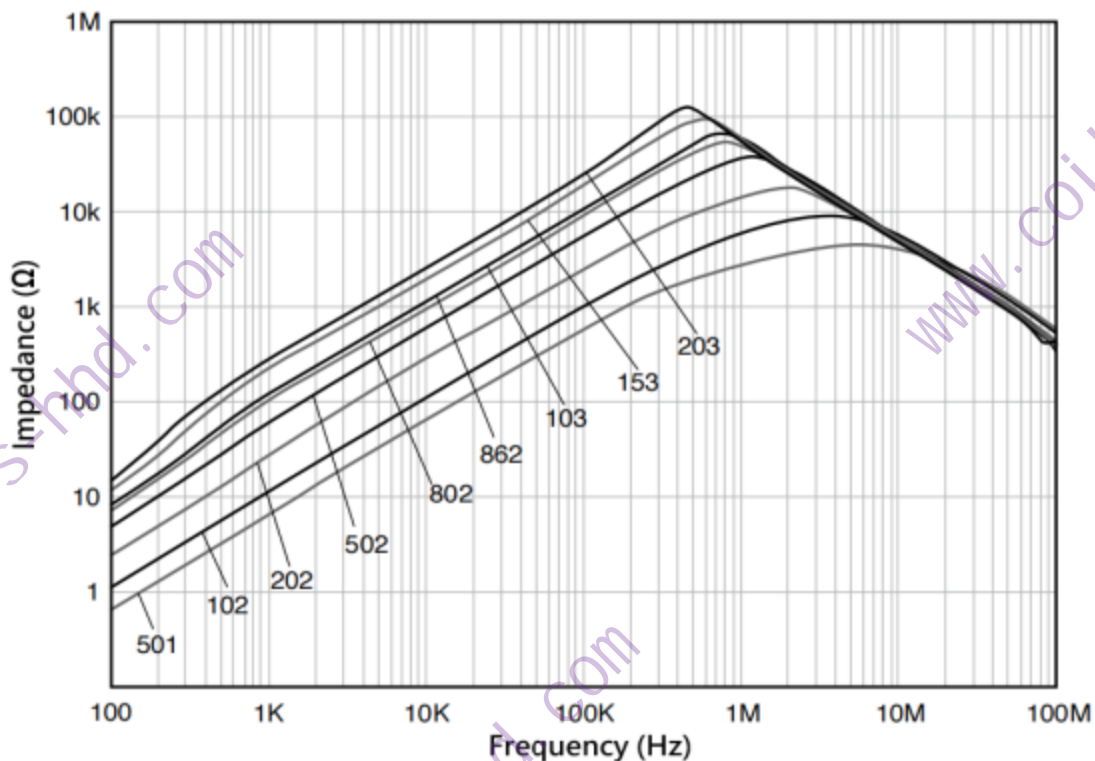
**Features:**

- Multi function telephone.
- PBX.
- FAX.
- Small size and inexpensive type.
- It is effective to the noise countermeasure for DC line noise and immunity for multi-function telephone, PBX and FAX.
- Operating temperature range: -20°C to +85°C (Including coil temperature rise due to self-generated heat).
- Storage temperature range: -40°C to +85°C.
- RoHS Compliant.

**Appearance dimensions** (mm, dimensions without tolerance are typical):



**Impedance Characteristics**



## Electrical Characteristics

| Part No.   |            | Inductance(1-4) or (2-3)<br>(mH)Min.<br>at 1kHz/1.0Vrms | DCR<br>(1,2)-(4,3)<br>Max. | Rated Current<br>(A)Max. |
|------------|------------|---|----------------------------|--------------------------|
| Sumida     | HHd        |   |                            |                          |
| UU9TF-501  | UU9TF-501  | 0.5   | 180 mΩ                     | 1.130                    |
| UU9TF-102  | UU9TF-102  | 1.0   | 270 mΩ                     | 0.950                    |
| UU9TF-202  | UU9TF-202  | 2.0   | 530 mΩ                     | 0.690                    |
| UU9TF-502  | UU9TF-502  | 5.0   | 1.09 Ω                     | 0.500                    |
| UU9TF-802  | UU9TF-802  | 8.0   | 1.8 Ω                      | 0.380                    |
| UU9TF-862  | UU9TF-862  | 8.6   | 1.9 Ω                      | 0.370                    |
| UU9TF-103  | UU9TF-103  | 10  | 2.43 Ω                     | 0.320                    |
| UU9TF-153  | UU9TF-153  | 15  | 3.77 Ω                     | 0.260                    |
| UU9TF-203  | UU9TF-203  | 20  | 5.32 Ω                     | 0.210                    |
| UU9TFH-501 | UU9TFH-501 | 0.5   | 180 mΩ                     | 1.130                    |
| UU9TFH-102 | UU9TFH-102 | 1.0   | 270 mΩ                     | 0.950                    |
| UU9TFH-202 | UU9TFH-202 | 2.0   | 530 mΩ                     | 0.690                    |
| UU9TFH-502 | UU9TFH-502 | 5.0   | 1.09 Ω                     | 0.500                    |
| UU9TFH-802 | UU9TFH-802 | 8.0   | 1.8 Ω                      | 0.380                    |
| UU9TFH-862 | UU9TFH-862 | 8.6   | 1.9 Ω                      | 0.370                    |
| UU9TFH-103 | UU9TFH-103 | 10  | 2.43 Ω                     | 0.320                    |
| UU9TFH-153 | UU9TFH-153 | 15  | 3.77 Ω                     | 0.260                    |
| UU9TFH-203 | UU9TFH-203 | 20  | 5.32 Ω                     | 0.210                    |

### Remarks:

\* All test data is referenced to 25°C ambient temperature .

\* Test equipment: TH2516B, HP4284, HP4991A or equivalent .

\* Rated Current: DC current that causes the temperature rise ( $\Delta T=40^{\circ}\text{C}$ ) from 25°C between (1,2) while (3,4) shorted.